

OAGIS Project Definition



- Project Name: Logistics/Transportation Management
- Project Chair: Lisa Perrone, Intel
- Project Date: Q3 – Q4, 2009
- Approved as of: June, 2009
- Last Update: July 1, 2009

Agenda



- Proposed Scope
- Key Deliverables Summary
- Scenario Diagram
- Business Workflow
- BOD's/Nouns to be added
- BODs to be changed
- Project Team
- Planned Schedule
- Assumptions, Dependencies, and Issues
- Outside Resources
- Questions
- Next Steps

Proposed Scope



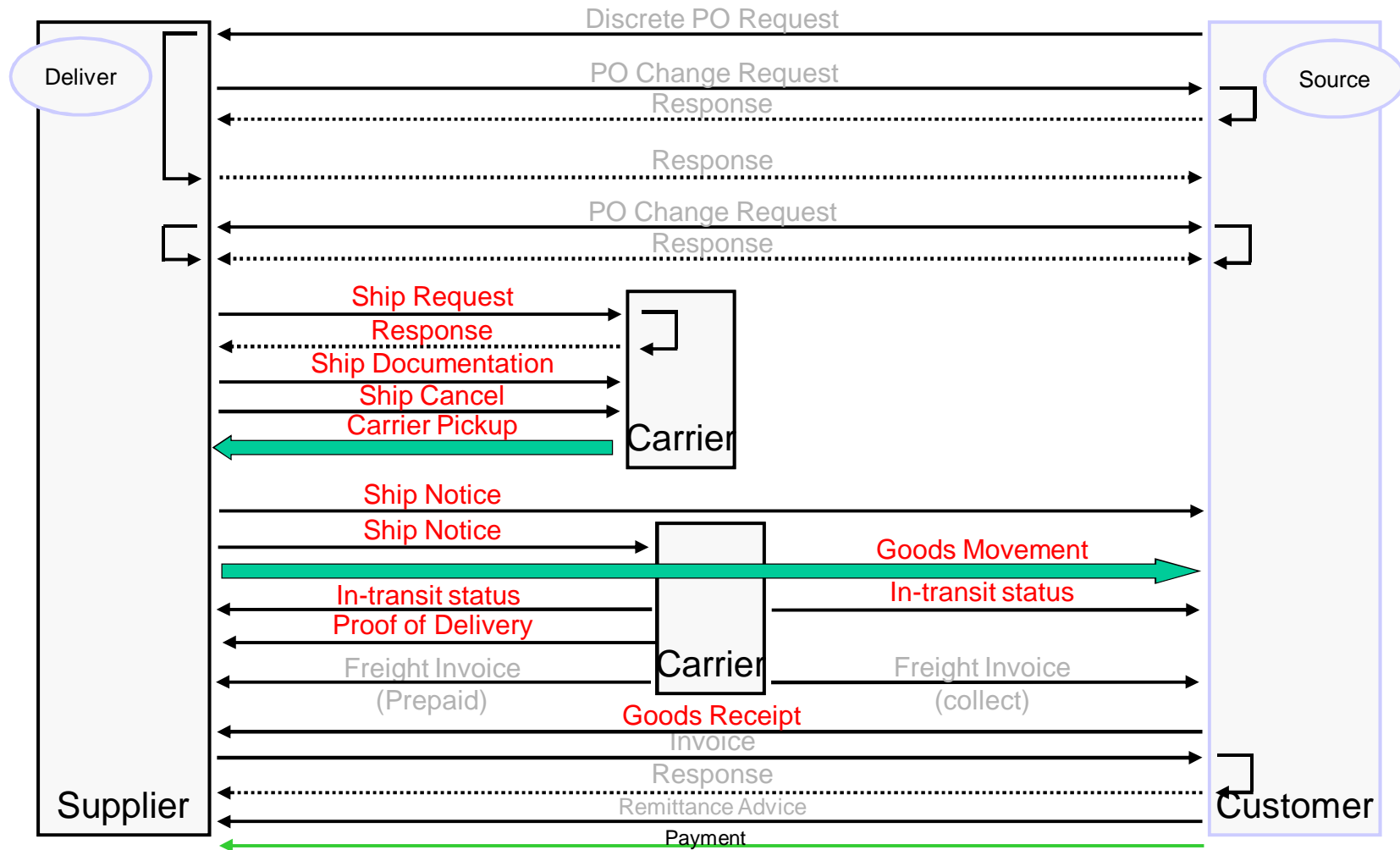
- What is in scope
 - Develop Business Network Integration standards that provide supply chain companies with the process and technical standards needed to integrate with their business network partners.
 - This includes the functions involved in logistics/transportation management processes as detailed on slides 4-8.
 - Provide implementation guidelines for messaging sequencing (choreography), message transformations, and state management
- What is out of scope
 - Any additional processes outside of logistics/transportation management as outlined in slides 4-8.

Direct Ship Model

(Can be PO or Forecast)

Gray Text = Out of scope

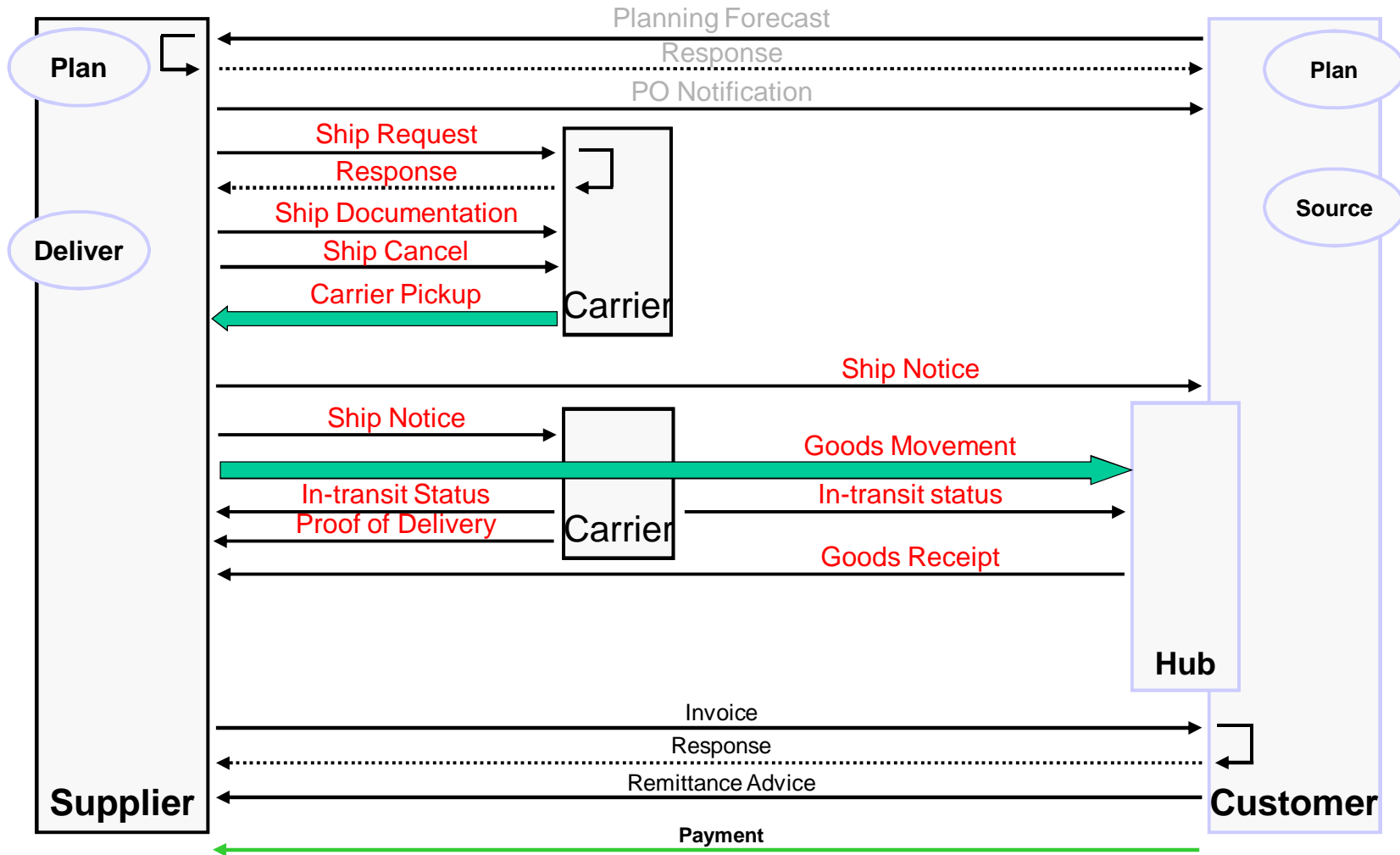
Red Text = in scope



Standard VMI (Customer Operated hub)

Gray Text = Out of scope

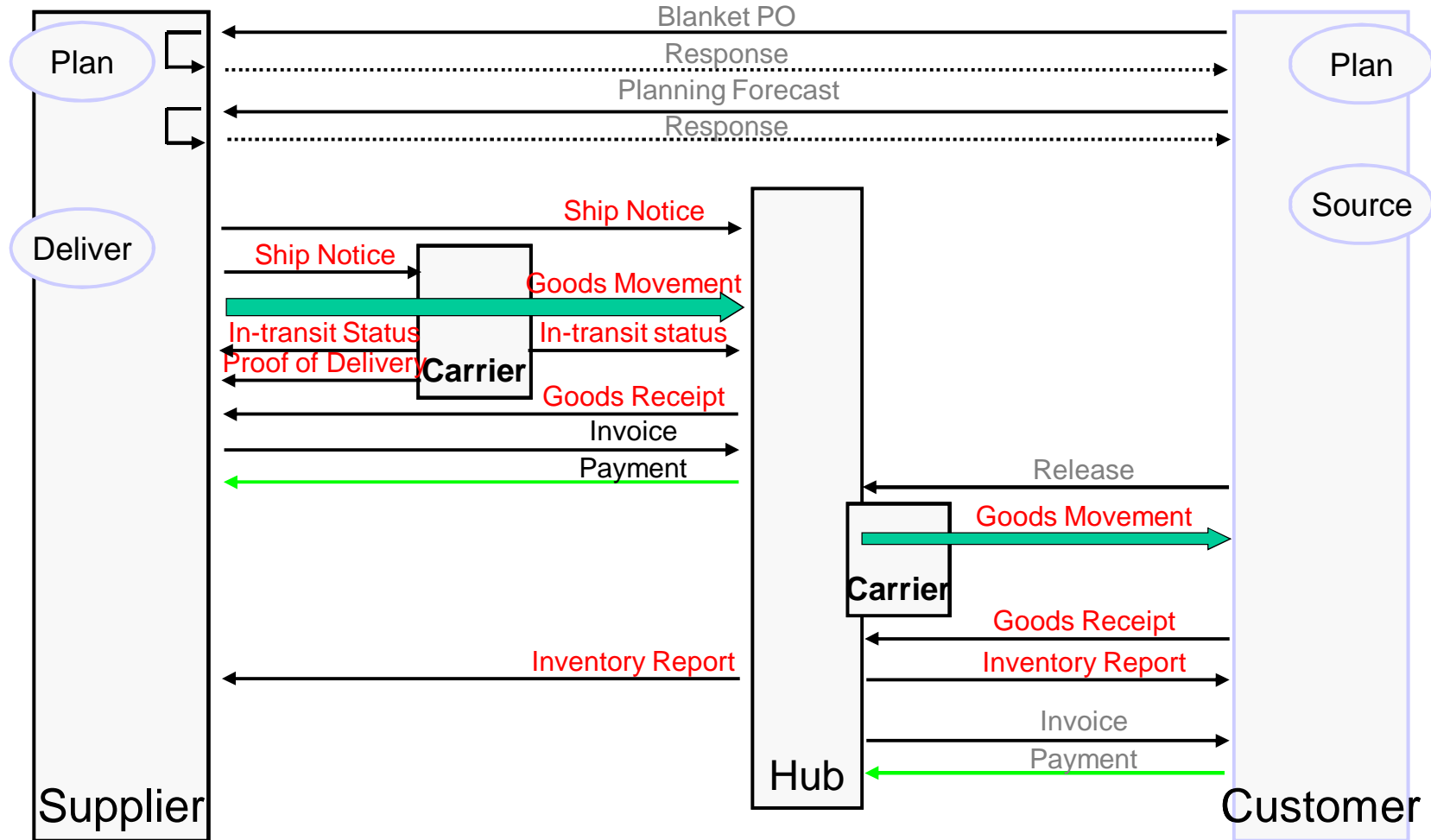
Red Text = in scope



Standard VMI (Outsourced- Customer agent)

Gray Text = Out of scope

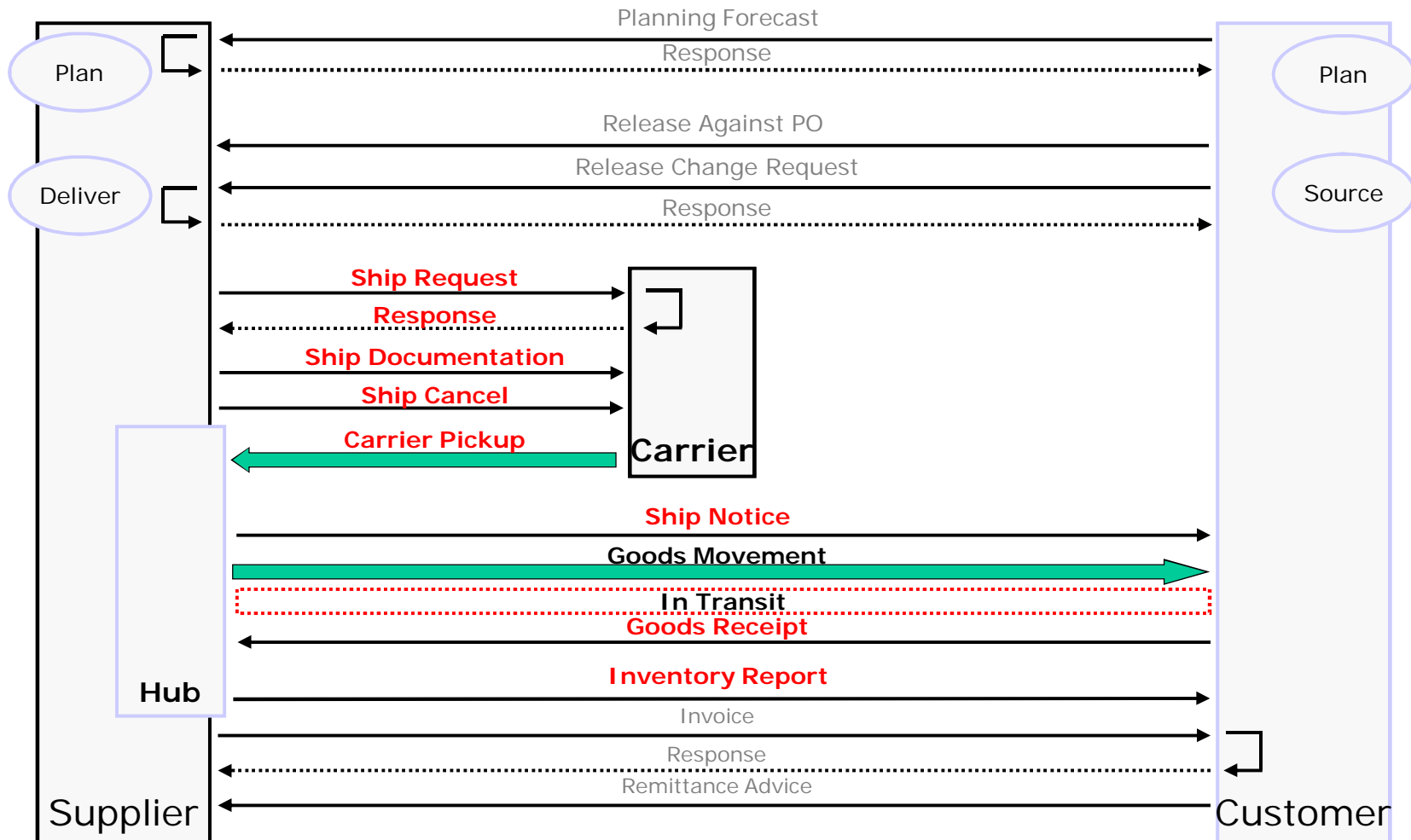
Red Text = in scope



Dynamic VMI (Supplier Operated)

Gray Text = Out of scope

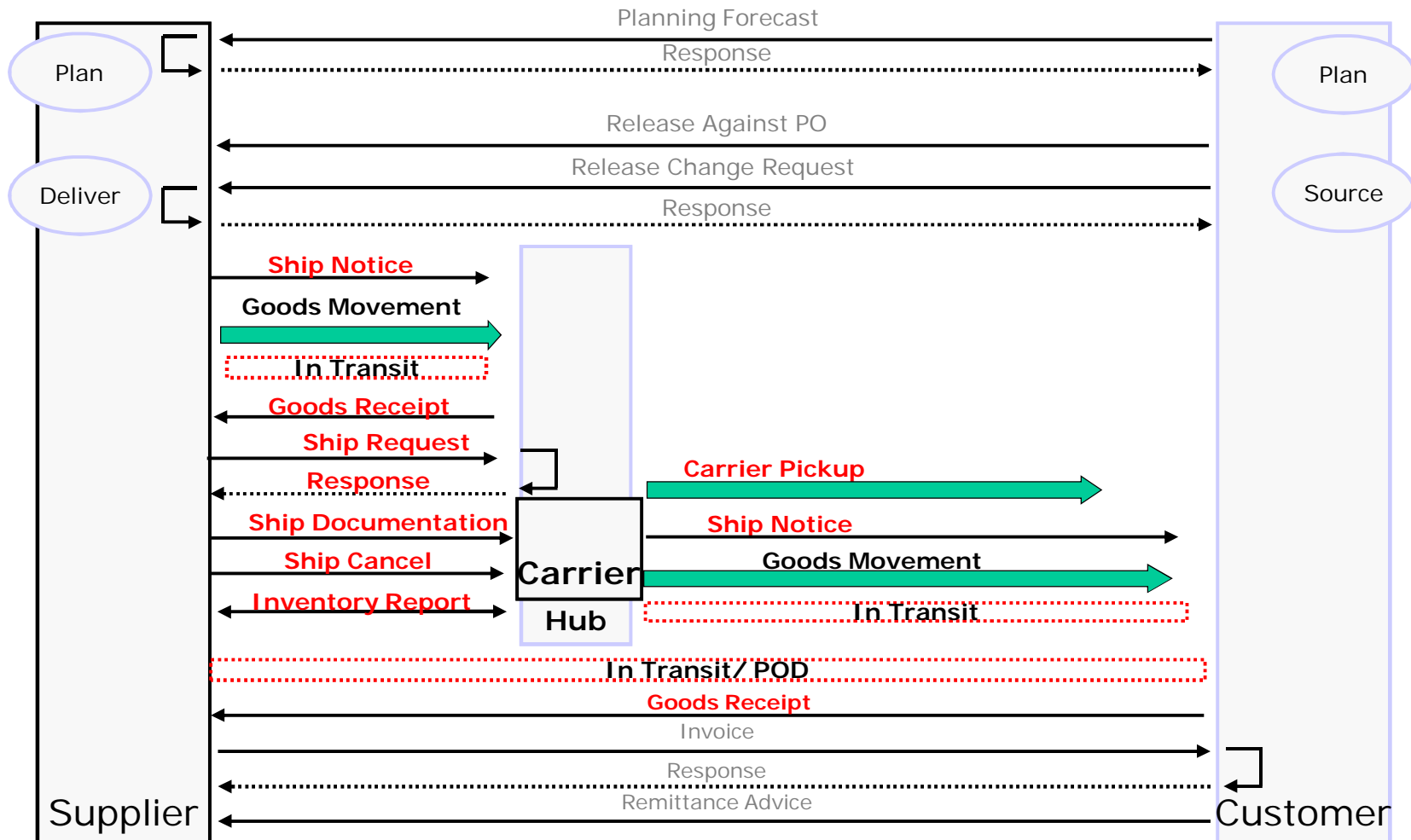
Red Text = in scope



Dynamic VMI (Outsourced Supplier Agent)

Gray Text = Out of scope

Red Text = in scope



Key Deliverables Summary



- Scenarios affected
- 0 New Nouns
- Estimate 2-3 New BODs
- 1 Changed BODs

BODs to be changed



- Estimate one BOD (Show Shipment) may need to be modified

Nouns to be Added



- TBD by the workgroup

BODs Not in Scope



-
- Any BODs not directly tied to the Logistics/Transportation Management process are out of scope

Workgroup Members



Name	Organization	Role
Lisa Perrone	Intel	Leader
Cheong Yeow Heng	Intel	Contributor
S S Pandian	Intel	Contributor
Steve Hardy	Intel	Contributor
Jeff Peet	Intel	Contributor
Tim Corfield	Intel	Contributor
Gau, Kai-Yin	SAP	Contributor
Steve Winkler	SAP	Contributor
Mark Crawford	SAP	Contributor
Anita Luu	SAP	Contributor
Peter Rodenhauser	SoftShare	Contributor
Bob Sartor	DHL	Invited Expert
Kurt Kanaskie	Merck	Invited Expert
Kumar Keeranoor	IBM	Contributor
Pam Weber	Cisco	Contributor
Jamie O'Halloran	GXS	Contributor

Planned Schedule



- Form Warehouse/Transportation Management WG – July
- 1st Draft Business Processes – TBD by work group
- Review and WG approve Business Processes - TBD
- 1st Draft Review Business Messages - TBD
- Review and WG approve Business Messages - TBD
- Review and Board Vote WG Deliverables - TBD

Assumptions, Dependencies, Issues



- Assumptions
 - Will have enough people
 - Will have OAGi-trained resources
 - Will leverage off existing logistics/transportation management processes already being used in OAGi member companies
 - Even though this WG will be chartered under the HT Council, expect other verticals to participate
- Dependencies
 - New BODs approved by Architecture Council
- Issues
 - None at this point

Outside Resources



- With the exception of LSP's who may be participate in a consultative manner, all workgroup members are expected to be members of OAGi in Good Standing

Next steps:



- Decision on Project
- Call for Team Members
- Schedule Meetings
- Set up eGroup –
- Assign OAGi Liaison

Logistics/Transportation Project Definition Signature Page



- By signing this Project Definition you are agreeing to make a contribution to this Working Group
- The scope of the contribution is constrained to the scope definition in this Project Definition.
- The complete definition of a contribution and the terms under which the contribution are made is described in the OAGi Intellectual Property Policy, which is available on our web site here:
<http://www.oagi.org/downloads/IPPolicy/2005%200628%20OAGi%20IPR%20Agreement.pdf>
- This page is to be emailed or faxed to OAGi staff
- Fax 801 740 0100 Email dmconnelly@oagi.org

Bradley Vandehey

Authorized Signature

Bradley Vandehey

Name Printed

Cisco

Organization Name

July 6, 2009

Date

Back up

Questions?

*** This is the time to address any questions not asked during the presentation.**

